



**ČVUT**

ČESKÉ VYSOKÉ  
UČENÍ TECHNICKÉ  
V PRAZE

**UCEEB**

UNIVERZITNÍ CENTRUM  
ENERGETICKY EFEKTIVNÍCH  
BUDOV

# **SOLAR SYSTEM WITH GLAZED PVT COLLECTORS FOR MULTIFAMILY BUILDING**

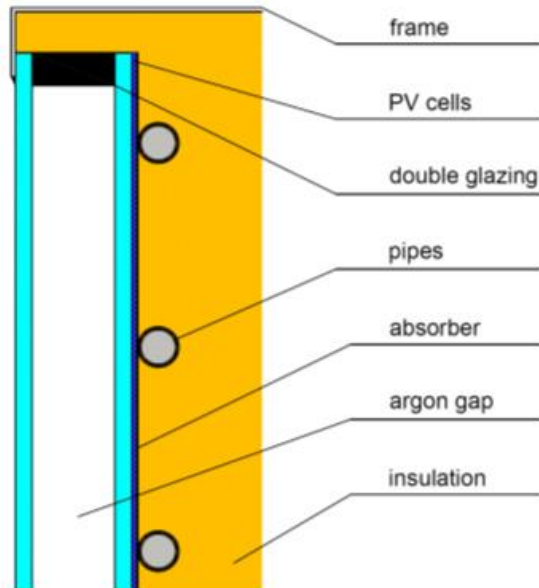
**Tomas Matuska, Nikola Pokorny, Vladimir Jirka  
and Borivoj Sourek**

**Czech Technical University in Prague**



# GLAZED PHOTOVOLTAIC-THERMAL SOLAR COLLECTORS

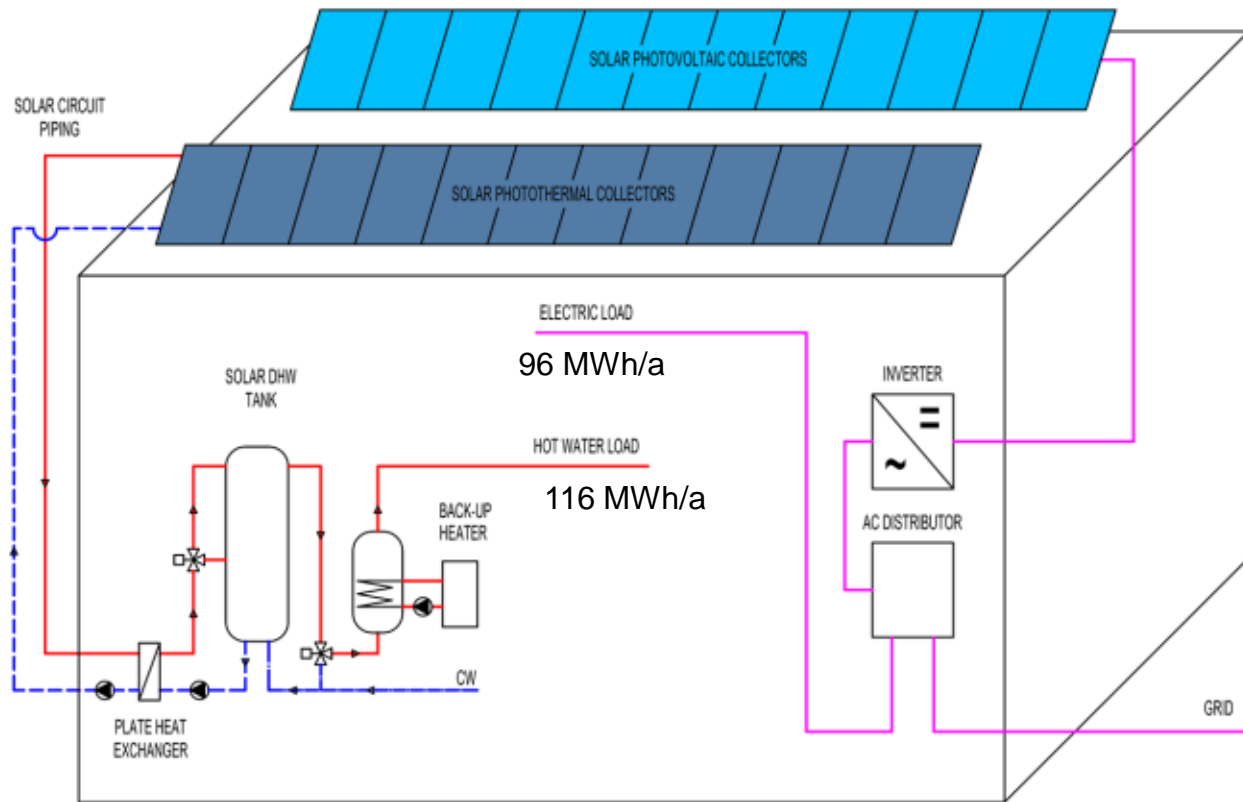
- combined heat and power production from solar energy
- innovative PV encapsulation for high temperatures
- 66 monocrystalline PV cells, collector size 1.6 x 1.0 m





# SOLAR ENERGY SYSTEM

available collector area 100 m<sup>2</sup>





# GLAZED PHOTOVOLTAIC-THERMAL SOLAR COLLECTORS

