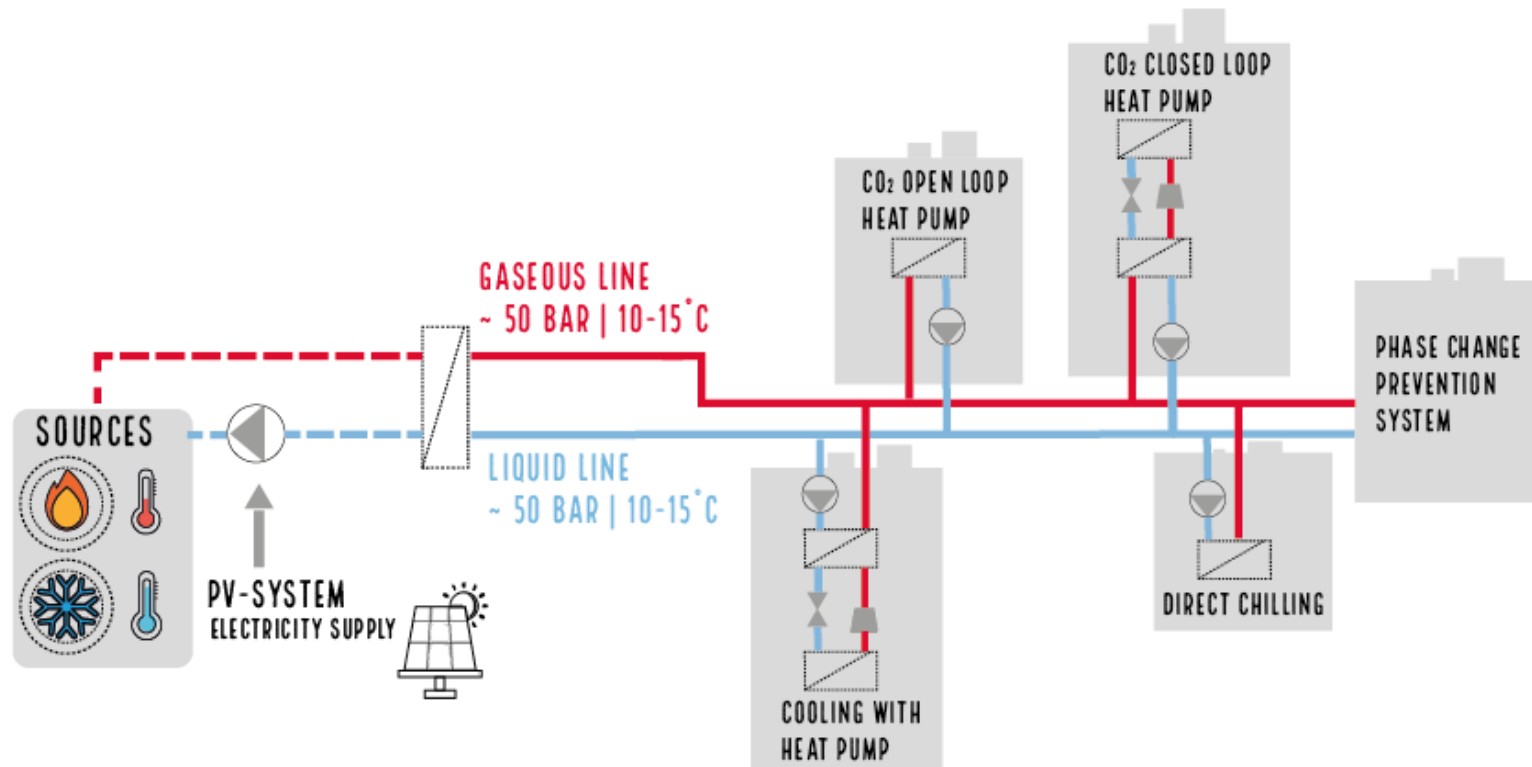


CO₂ IN LOOP

Investigation of District Heating and Cooling Systems using CO₂ as Heat Transfer Medium

Robert Pratter – 4ward Energy Research GmbH

Concept of CO₂ networks



Advantages:

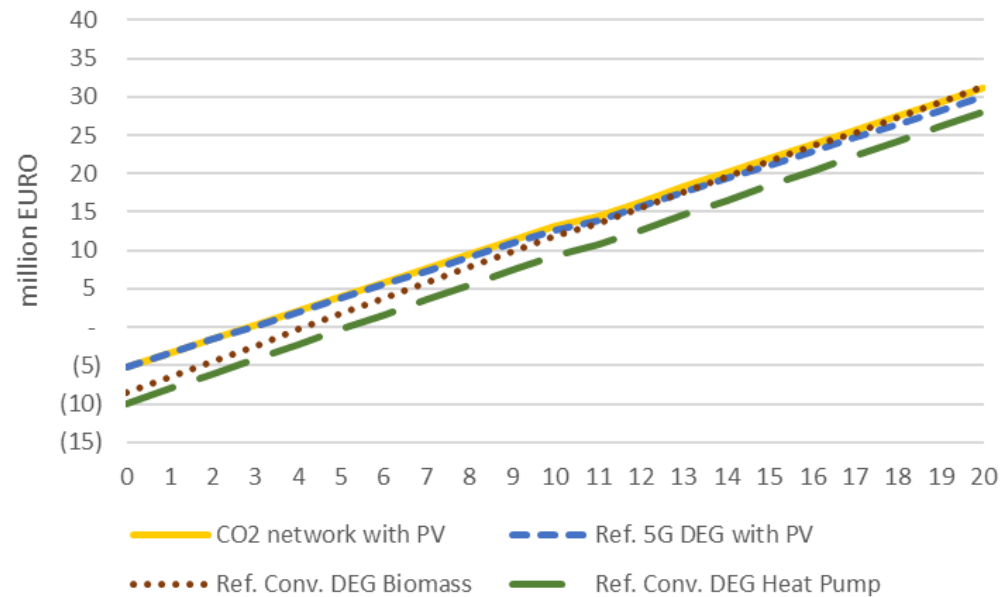
- Simultaneous heating and cooling
- Uninsulated pipes
- Efficient use of low-temperature energy sources
- Small pipe diameters

Challenges:

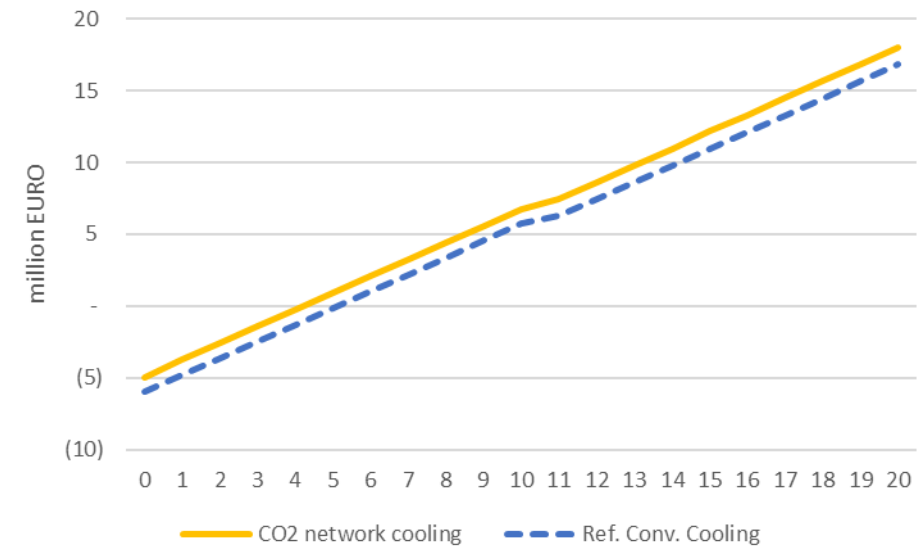
- Complexity
- High Pressure

Economic evaluation

Cooling and Heating



Only Cooling



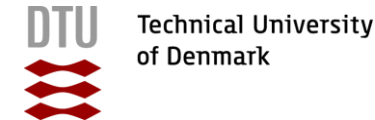
Contact



Robert Pratter

4ward Energy Research GmbH
Reininghausstraße 13A
A-8020 Graz

e: robert.pratter@4wardenergy.at
t: +43 664 88 500 337
w: www.4wardenergy.at



This project has received funding in the framework of the joint programming initiative ERA-Net GEOTHERMICA and Smart Energy Systems, with support from the European Union's Horizon 2020 research and innovation programme.

